

## GT-86YRS

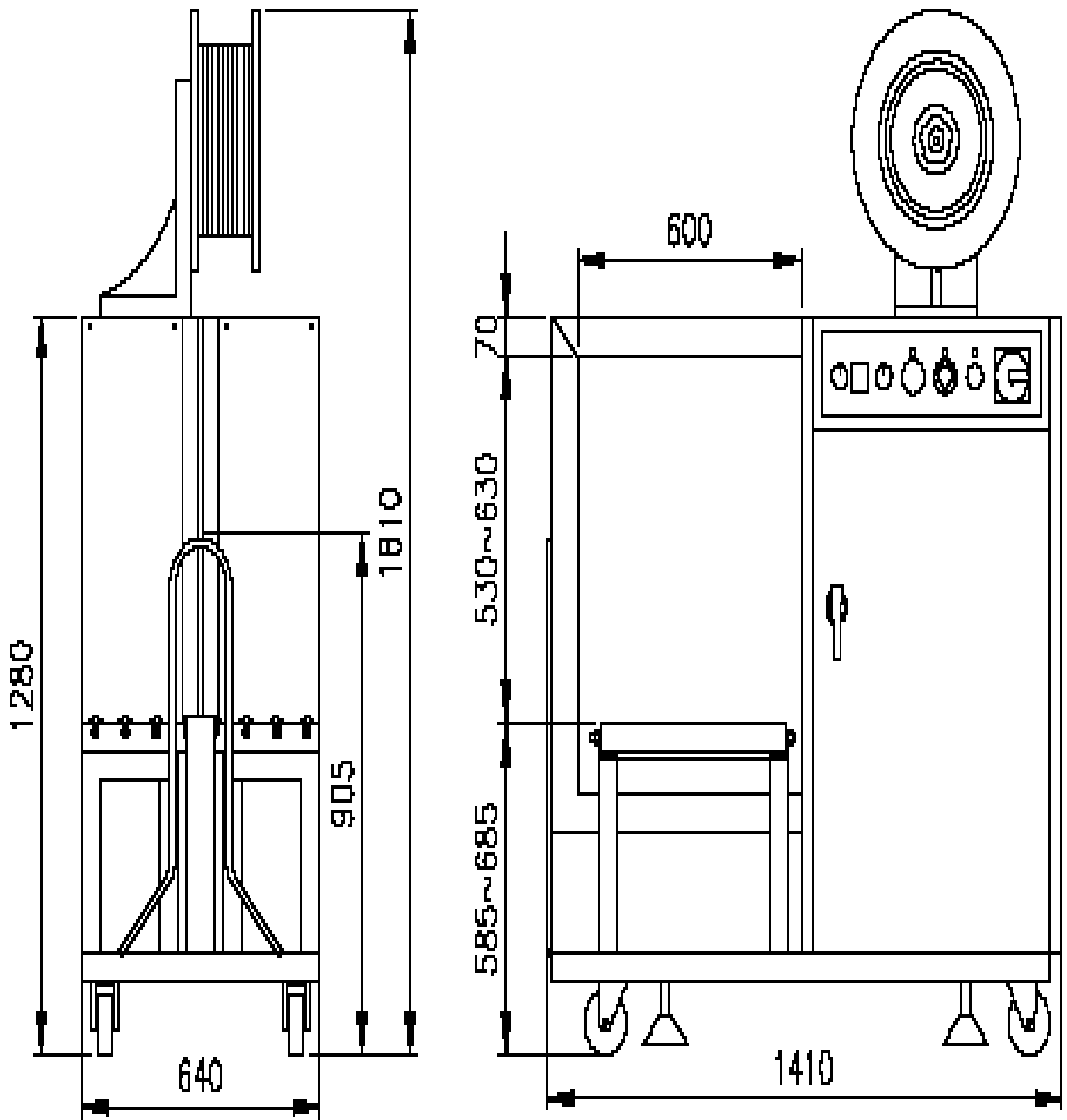


### Features:

- Machine frame and most of hardware is made of stainless steel. This model is rustproof and suitable for operating in damp area or strapping wet packages.
- Accessing height adjustable ABS free roller table (Between 585~685mm).
- Equipped with height adjustable stainless steel stands (Max.100mm).
- Equipped with an IP-66 approved waterproof and dustproof ABS control box.
- Electricity leakage breaker protected main-power switch on control panel and an optional device installation of lamp to keep inner temperature and machine interior dry.

### Specifications

Arch Size	600W x 630H mm (Standard)
Strap Cycle Speed	28 Straps /60 Sec.
Tension Strength	Max. 70Kgs
Table Height	585~685mm
Strap Width	6~15mm
Sealing Method	Heat Sealing
Power Supply	110/220V 50/60Hz 1Ph; 220/380V 50/60Hz 3Ph
Dimensions	1410W x 640D x 1810H mm
Machine Weight	287Kgs
Packing Size	600W x 530-630H mm



**บริษัท กู้ดไทม์ อิมพอร์ตเอ็กซ์พอร์ต จำกัด**

16 ซอยเลียบบดลองภาษีเจริญฝั่งเหนือ 12 แขวงหนองแขม เขตหนองแขม กรุงเทพฯ 10160

Tel. 0-2807-6461-9 (Auto) Fax. 0-2807-6460

Website : [www.goodtimepack.com](http://www.goodtimepack.com)

E-mail : [sales@goodtimepack.com](mailto:sales@goodtimepack.com) , [goodtimepack@yahoo.co.th](mailto:goodtimepack@yahoo.co.th)